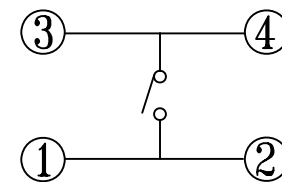
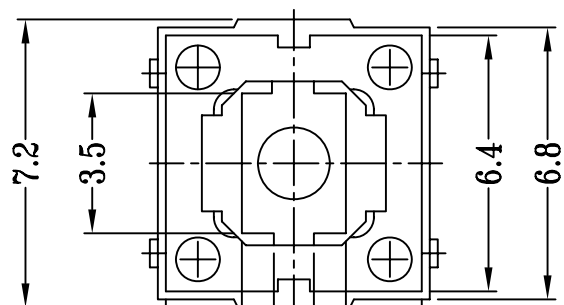
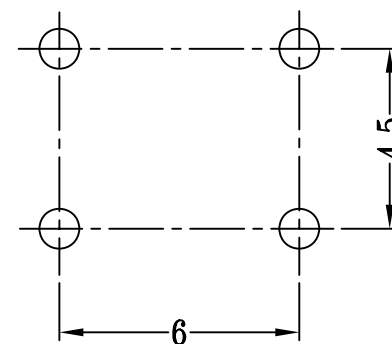
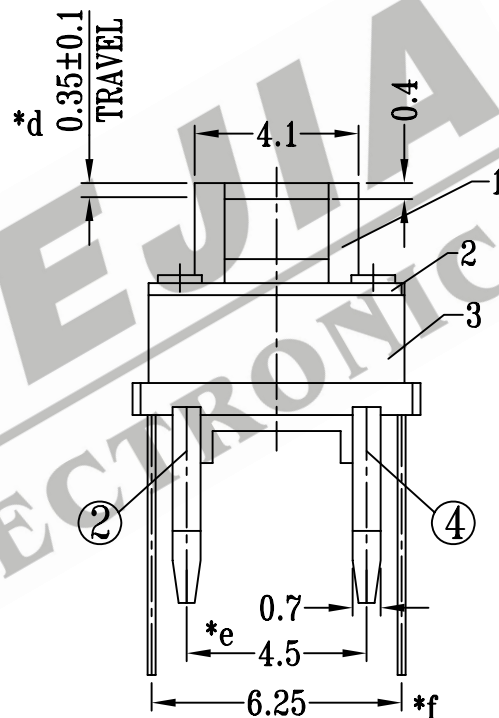
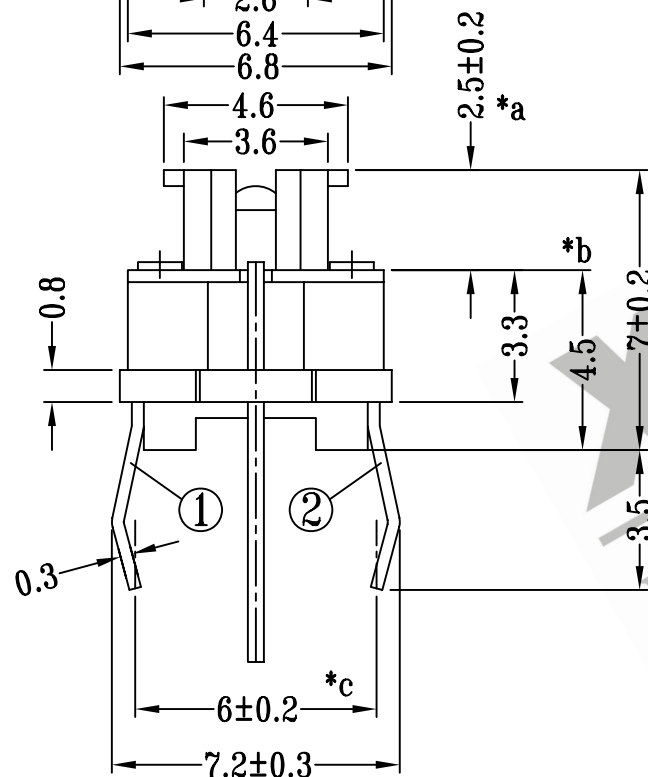


CAD FILE:



SCHEMATIC



P.C.B LAYOUT

注：“\*”表示关键尺寸（6个）

TOLERANCE UNLESS SPECIFIED		SHENZHEN XIEJIA ELECTRONICS CO.,LTD.				
WITHIN : 1.5±0.1mm		ISSUE	DATE	DESCRIPTIONS OF REVISION		APPD.
OVER : 1.5±0.2mm						
TITLE : TACT SWITCH		UNIT : mm		DRWG NO.: XJ-DR-TC1193-00		
MODEL: TC-1193		SCALE: 5:1		DWN.	ZHOUYU	2005-8-27
ALL MATERIALS MUST BE COMPLIANT TO ROHS		APPD.		CHK'D	FANGYING	2005-8-27
				APPD.	KANGXINAN	2005-8-27

NO.	PARTS	MATERIALS	Q'TY	FINISH
6				
5				
4	CONTACT	PBS	1	Ag CLAD
3	CASE	NYLON+F.G/BRASS STRIP	1	BLACK/Ag PLATED OVER Ni PLATED
2	COVER	PET	1	CLEAR
1	KNOB	NYLON	1	BLACK